

3SM123C4T1VA-R MEMS Microphone IC

Product Description

The *3SM123C4T1VA-R* microphone IC are integrated with specialized pre-amplification ASIC to provide high sensitivity, high SNR output from a capacitive audio sensor. It's packaged for surface mounting and high temperature reflow assembly. *3SM123C4T1VA-R* which is able to endure reflow temperature up to 260 °C for 30 seconds can be used in SMT process. It is widely used in telecommunication and electronics device such as headset, wearable device.

Features

- Top port
- High stability - no risk of membrane aging
- Suitable for automatic pick-and-place handler and SMT process
- Miniature dimension 2.75mm x 1.85mm x 0.95mm
- Low current consumption 80uA
- RoHS/Green compliant
- Sensitivity deviation within ± 1 dB
- Package type : LGA 4-pin
- Omnidirectional

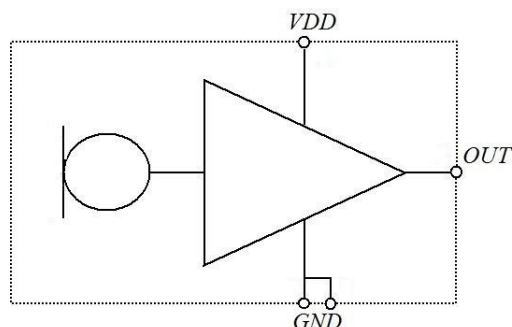
Applications

- TWS Headsets
- Wearable Devices

Table of Contents

Product Description	P.1
Features	P.1
Applications	P.1
Table of Contents.....	P.2
Functional Block Diagram	P.3
Pin Definition and Function	P.3
Temperature Range	P.3
Acoustical and Electrical Characteristics.....	P.4
Frequency Response	P.5
Reliability Qualifications	P.6
Reflow Profile	P.7
PCB Land Pattern Layout	P.8
Application Circuit	P.9
Handling Instructions	P.10
Dimensions	P.11
Package Information	P.12
Revision History	P.14

Functional Block Diagram



Pin Definition and Function

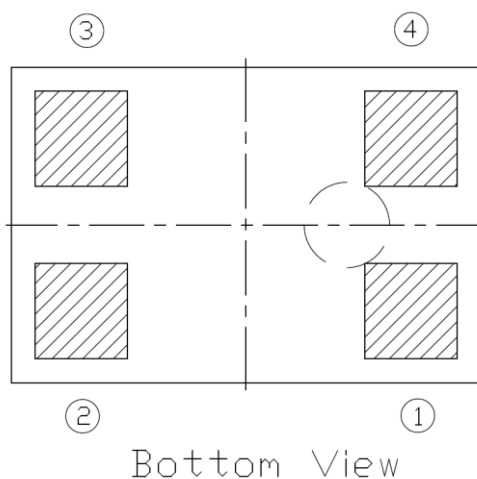


Table 1

Pin #	Symbol	Function
1	OUTPUT	Analog signal output
2	GND	Ground
3	GND	Ground
4	VDD	Power supply

Temperature Range

Table 2

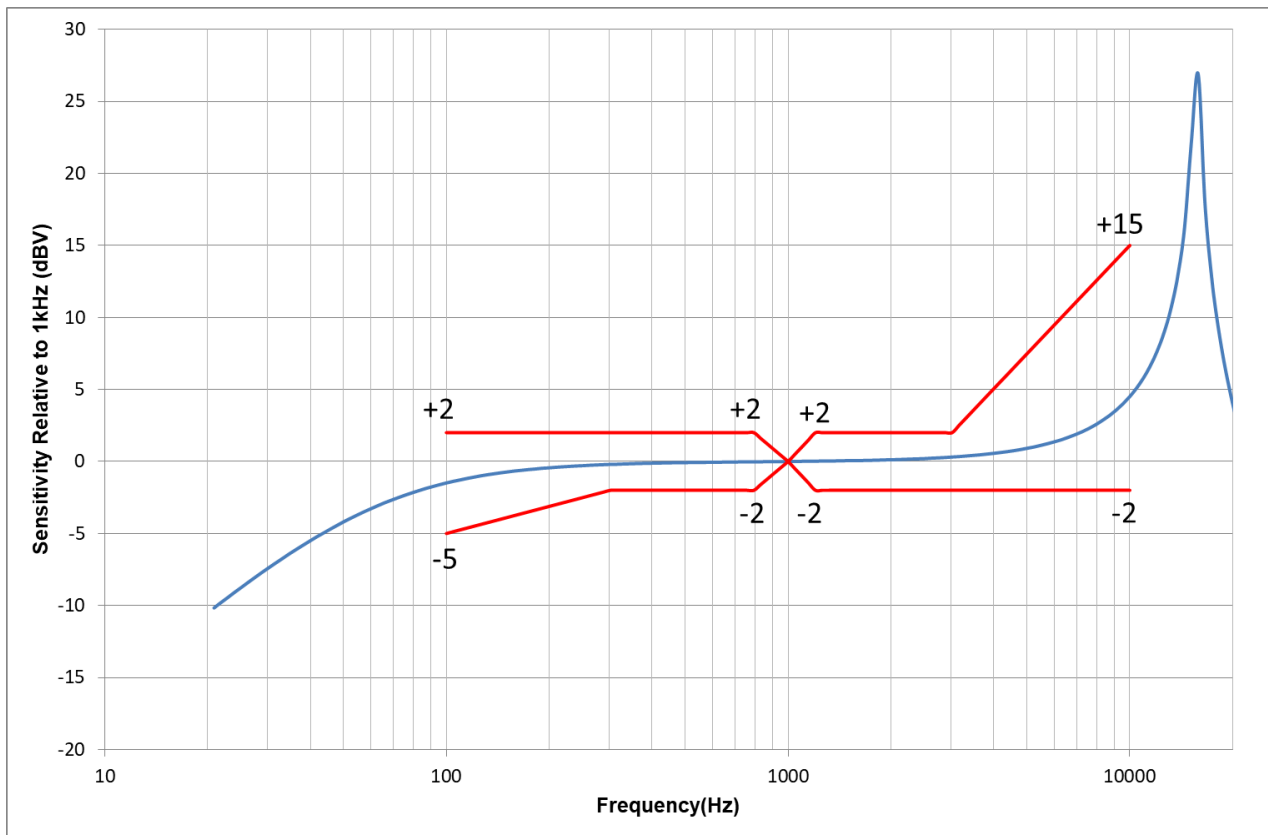
Storage Temperature	T_{STG}	-40°C ~ 100°C
Operating Temperature Range	T_A	-40°C ~ 85°C

Acoustical and Electrical Characteristics

Table 3 Typical test conditions are $T_A = 23\text{ }^\circ\text{C}$, $V_{DD} = 2.1\text{ V}$ and $R.H. = 50\%$ measured in a pressure chamber test setup. All voltages refer to GND node

Parameters	Symbol	Min.	Typ.	Max.	Unit	Test Conditions
Acoustic						
Sensitivity	S	-43	-42	-41	dBV/Pa	1KHz, 94dB SPL
Signal to Noise Ratio	S/N		57		dBA	A-weighted
Equivalent Noise Level	ENL		37		dBA	A-weighted
Total Harmonic Distortion	THD		0.1		%	94dB SPL
			110		dB SPL	1% THD @ 1KHz, S = Typ.
Acoustic Overload Point	AOP		123		dB SPL	10% THD @ 1KHz, S = Typ.
Low Frequency Roll-off	LFRO		63		Hz	-3dB relative to 1KHz
Electrical						
Supply Voltage	Vdd	1.6		3.6	V	
Current Consumption	Isb		80		μA	Vdd=2.1V
			80		μA	Vdd=3.6V
Power Supply Rejection	PSR+N		-93		dBA	217Hz, 100 mV peak to peak square wave on Vcc 2.1V
Power Supply Rejection Ratio	PSRR		63		dB	217Hz, 200 mV peak to peak sine wave on Vcc 2.1V
Output Impedance	Zout			200	Ω	@ 1KHz
Output DC Offset			1.3		V	
Directivity	Omnidirectional					
Polarity	Increasing output voltage					Increasing sound pressure

Frequency Response



Typical frequency response normalized to 1KHz (Measured)

Reliability Qualifications

Table 4

Test Item	Description
High Temperature Storage	Storage at 105°C for 1,000 hours IEC 60068-2-2 Test Ba
Low Temperature Storage	Storage at -40°C for 1,000 hours IEC 60068-2-1 Test Aa
High Temperature Operation Bias	Under Bias at 105°C for , 1,000 hours IEC 60068-2-2 Test Ba
Low Temperature Operation Bias	Under Bias at -40°C for , 1,000 hours IEC 60068-2-1 Test Aa
Temperature Humidity Bias	Under Bias at 85°C/85%RH for 1,000 hours JESD22-A101-B
Thermal Shock	Thermal Shock 100 cycles from -40°C~125°C, 100 cycles IEC 60068-2-14
Reflow	3 reflow cycles with peak 260°C J-STD-020D
Vibration	4 cycles lasting 12 minutes from 20 to 2KHz in X, Y and Z with peak acceleration of 20G MIL 883E, Method 2007.2, A
Shock	3 pulses 10,000G in X,Y and Z IEC 60068-2-27, Test Ea
ESD	HBM:3KV, MM:300V, CDM:500V Air Discharge:12KV, Contact Discharg:8KV JESD22-A114(HBM); JESD22-A115(MM) JESD22-C101(CDM) IEC 61000-4-2(Air Discharge) IEC 61000-4-2(Contact Discharge)
Tumble test	300 tumbles from a height of 1m onto a steel base.

Notes: Microphones meet all acoustic and electrical specifications before and after reliability testing, except sensitivity which can deviate up to 3dB.

After 3 reflow cycles, the sensitivity of the microphone shall not deviate more than 1 dB from its initial value

Reflow Profile

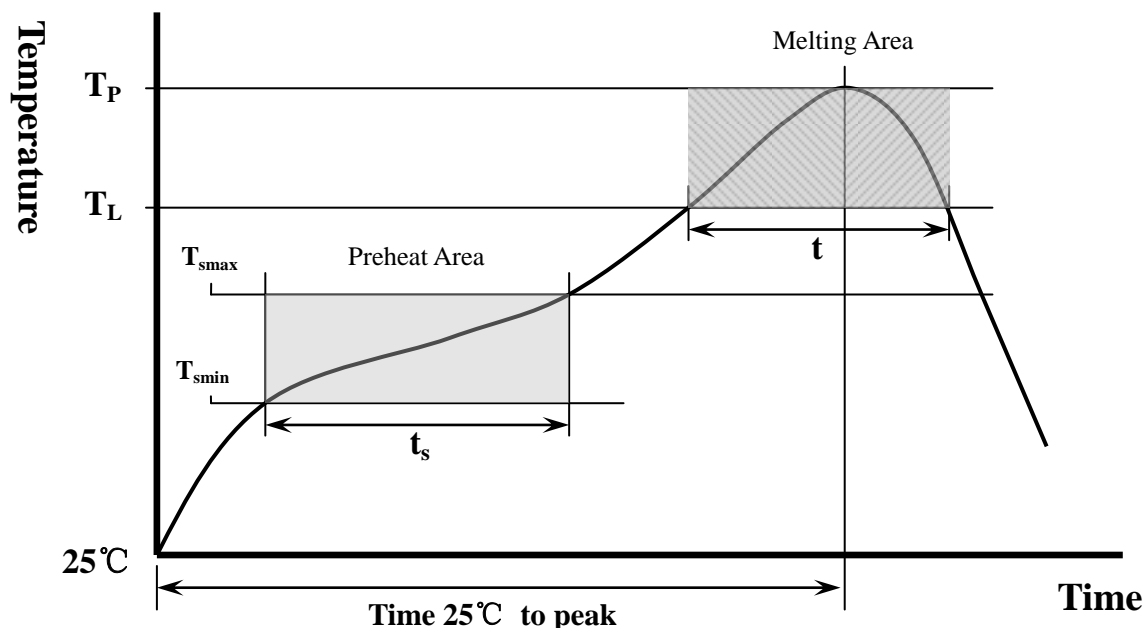


Table 5. Recommended Reflow Profile Limits

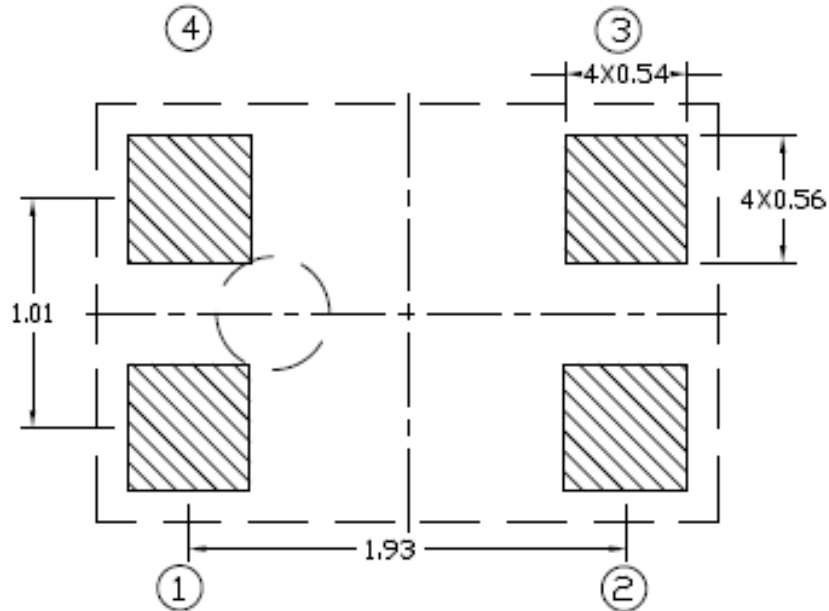
Profile Feature	Pb-free
Preheat	
Minimum temperature (T_{smin})	150 °C
Maximum temperature (T_{smax})	200 °C
Time (t_s)	60~180 sec
Average Ramp up rate (T_{smax} to T_p)	3 °C/sec
Melting area	
Melting temperature (T_L)	217 °C
Time maintained above melting (t)	60~150 sec
Peak Temperature (T_P)	260 °C
Time within 5°C of actual peak temperature	20~40 sec
Ramp down rate	6 °C/sec maximum
Time 25°C to peak temperature	8 minute maximum

Notes: Based on IPC/JDEC J-STD-020 Revision C.

All temperatures refer to topside of the package, measured on the package body surface.

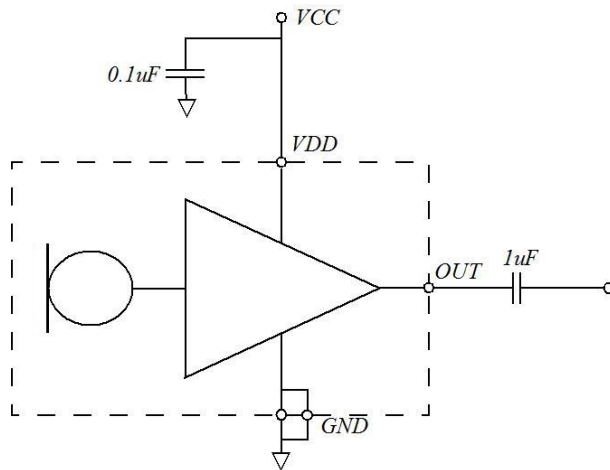
PCB Land Pattern Layout

Recommended Land Pattern



Application Circuit

Typical Application:



Handling Instructions

The MEMS microphone IC can be handled using standard pick-and-place and chip-shooting equipment. Care should be taken to avoid damage to the MEMS microphone IC structure as follows:

- Do not apply vacuum nozzle over the acoustic port (AP) of the microphone to avoid damage to the device.
- Do not blow air directly into acoustic port. If air gun cleaning is required, the minimum distance is 10cm and the maximum air blow pressure is 30psi.
- Brushing the board with/without solvents may damage the device.
- Do not use excessive force to place the microphone on the PCB.
- In case of manual handling, it should be handled with plastic tweezers to avoid damage to the device.
- Do not open and remove IC from packaging until devices are ready to be mounted.
- Suggest PCB depaneling be done with depaneling cutter/router, or manually de-panel PCB with care and without any contact of MEMS Microphone IC.

Dimensions

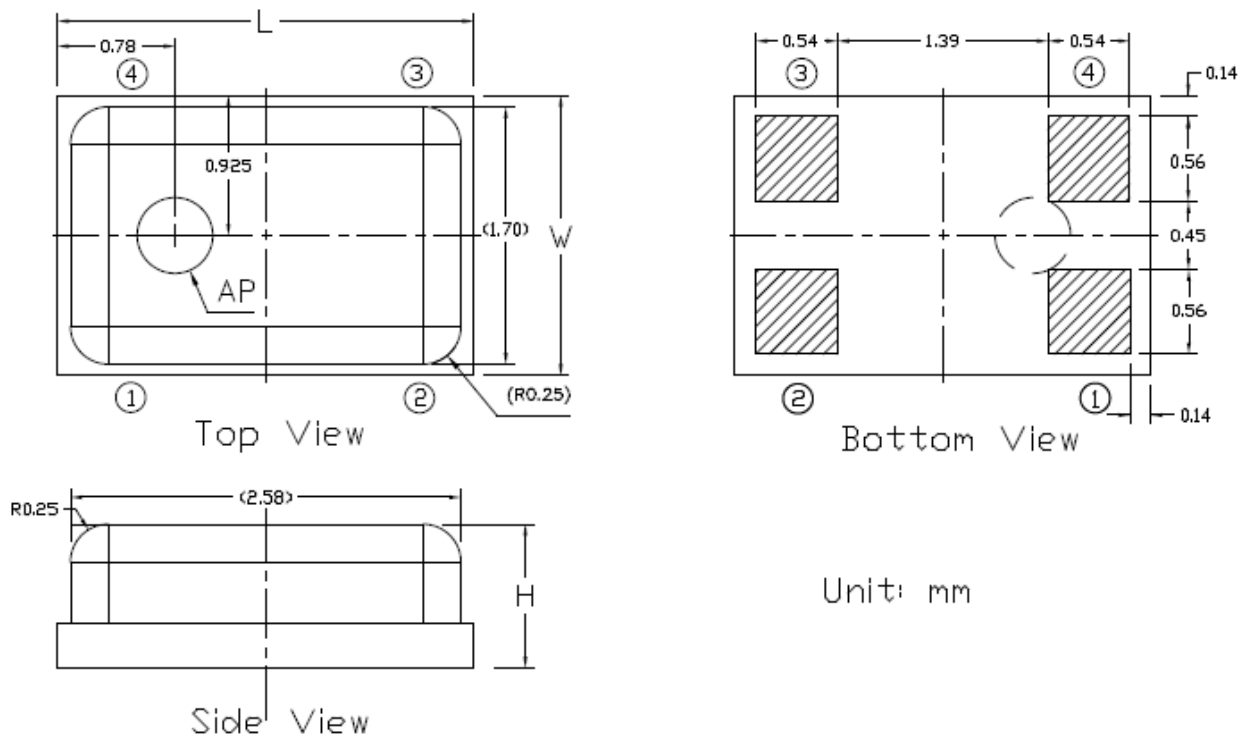
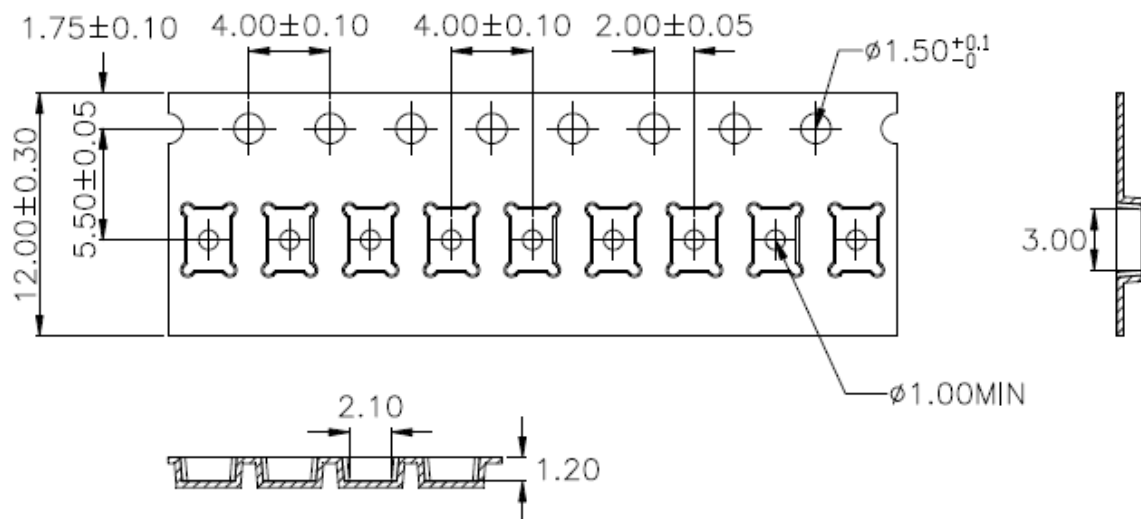


Table 6(Top View)

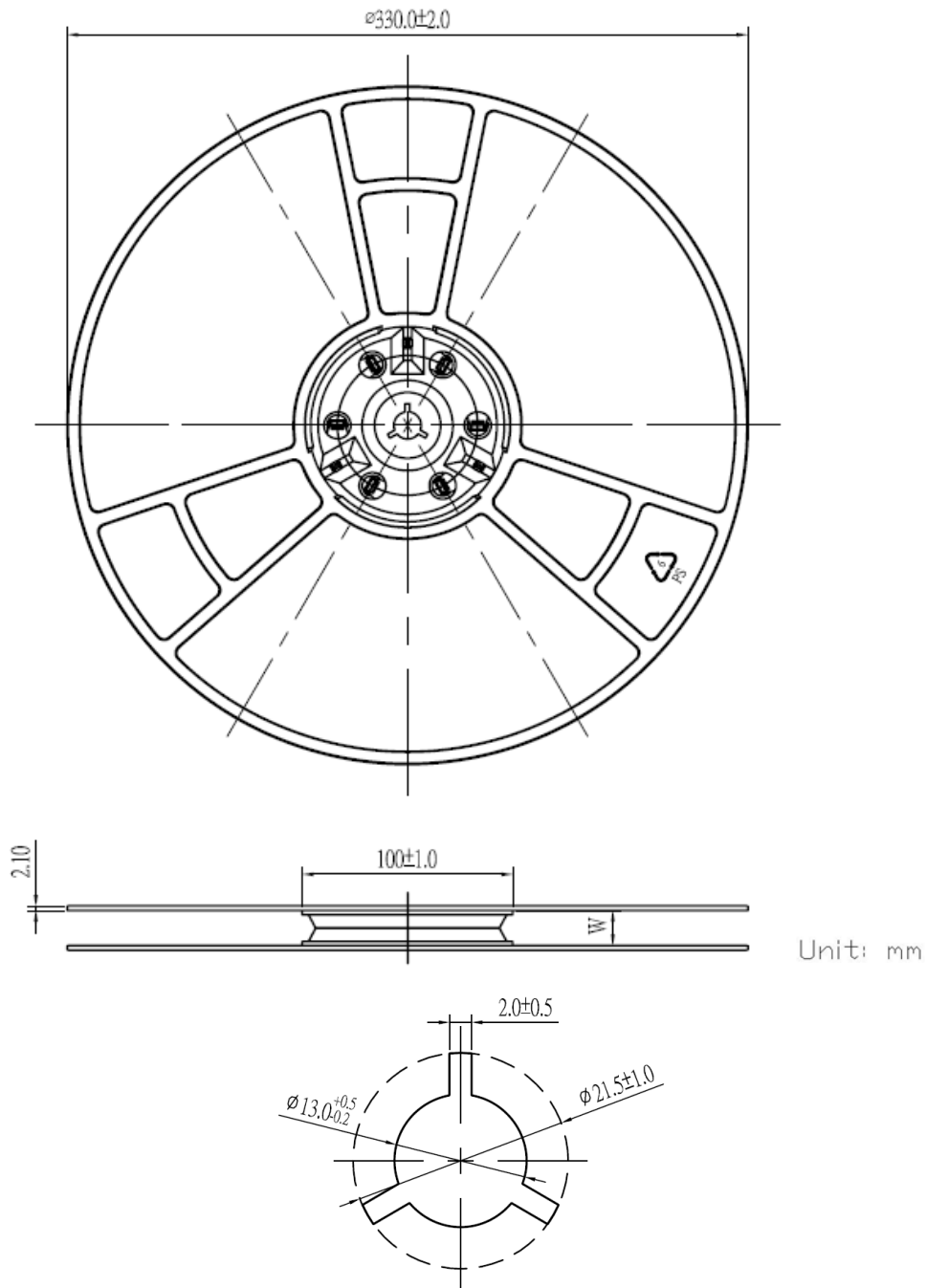
Item	Dimension	Tolerance
Length (L)	2.75 mm	±0.10 mm
Width (W)	1.85 mm	±0.10 mm
Height (H)	0.95 mm	±0.10 mm
Acoustic Port	Φ 0.50 mm	±0.05 mm

Package Information

Carrier Tape:



1. 10 sprocket hole pitch cumulative tolerance ± 0.20 .
2. Carrier camber is within 1 mm in 250 mm.
3. Material : Black Conductive Polystyrene Alloy.
4. All dimensions meet EIA-481 requirements.
5. Thickness : 0.30 ± 0.05 mm.
6. MSL(Moisture sensitivity level) Class1.

13" Tape Reel :


Unit: mm

Model Number	Reel Diameter	Quantity Per Reel
3SM123C4T1VA-R	13"	5,000

Revision History

Revision	Date	Description
1.0	2019/08/24	Formal release