

SSS1530 Headset Controller

Overview

SSS1530 is 3S highly integrated single chip TYPE-C USB audio controller with on chip oscillator to save the external 12MHz crystal component, QFN-32(4*4) package. SSS1530 built-in stereo 16 bits ADC, stereo 16 bits DAC, earphone driver, 5-band hardware EQ, audio PLL, TYPE-C clock oscillator, TYPE-C FS controller and USB PHY. External 24C02~16 EEPROM connection provides flexibility for TYPE-C USB VID/PID/product string, default gain settings, and other customized features. SSS1530 provides a minimum BOM solution for featured TYPE-C audio solutions, in Windows/ MAC/ Android OS X , and most of Type-C mobile phone.

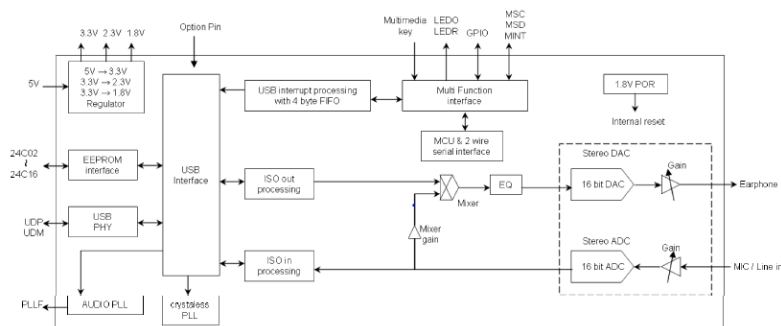


Features

- Compliant with TYPE-C USB specification v2.0 full speed operation
- Compliant with TYPE-C USB audio device class specification v1.0
- Embedded TYPE-C USB FS transceiver and controller
- Embedded 16 bit stereo ADC with dB linear PGA
- Embedded 16 bit stereo DAC
- Two wire serial bus for external MCU control
- Support HID pin change to GPIO pin, setting with EEPROM
- Default support 48 KHz for both ADC and DAC enable
- Support I2S interface with fixed sampling rate
- Phone Call and Hang Up, Music Play/Pause, volume up, volume down, playback mute, recording mute, next track, previous track, and stop pin for direct user control
- Compatible with Win XP, Vista, Win 7, Win 10, Win 11, Mac OS X, Linux OS X and Android OS X without additional driver, and most of Type-C mobile phone
- QFN32

Highlights

- Stereo 16 bit DAC
- Stereo 16 bit ADC
- Class AB Earphone Driver
- Microphone input
- USB Audio Class v1.0
- External EEPROM I/F
- USB HID:
 - Multimedia Key
- Peripherals
 - Two-wire serial bus
- Win XP / Win Vista/ Win7/ Win10/ Win11/ Mac/ Linux/ Android ready
- Single 5V power supply
- USB Headset Controller
- QFN 32



2023.12.21



Solid State System

Head Quarter: +886-3-552-6568 | China Office: +86-755-8347-6881
www.3system.com.tw | E-mail: info@3system.com.tw