

Solid State System – SSS6677 USB Controller

Overview

The SSS6677Dx-series USB controller from Solid State System is of the highest performance solution designed explicitly to support SLC (Single-Level Cell) and MLC (Multi-Level Cell) NAND-type flash with multiple dice data configurations from most of the major flash suppliers.

Equipped with 8-bit BCH ECC, all 2K-page & 4K-page NAND-type flashes from Toshiba™, Intel®, Micron®, Samsung®, and Hynix® are supported.

All of the SSS6677Dx-series USB controllers have been fully qualified with Microsoft™ Windows® Vista® and Windows® 7 WHQL compliance. Windows® ReadyBoost® performance is achieved by following specific criterions from Microsoft® Corp.

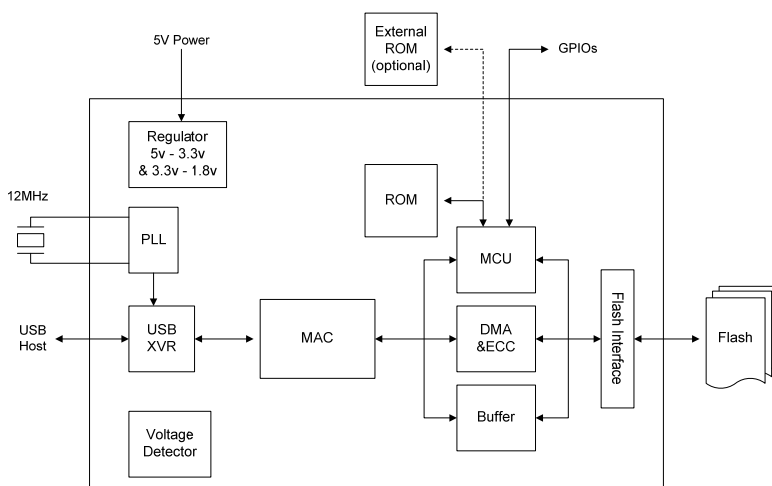
Features

- USB 1.1 & 2.0 specification compliant (480MB/sec)
- 8-bit BCH ECC supported
- Toshiba™ 2K-page & 4K-page NAND supported
- Intel® 2K-page & 4K-page NAND supported
- Excellent Wear-leveling
- 4CE (Chip-enable) configuration available
- Max. density supported: 16GByte
- Customized VID/PID/Serial configuration supported
- Windows® ME/2000/XP/Vista/7 supported
- Windows® Vista/7 ReadyBoost® - Microsoft WHQL compliant
- Mac OS 8.6+ and Linux kernel 2.4.2+ supported



Highlights

- USB 1.1 & 2.0 supported
- TSB 2K/4K-page NAND
- Intel 2K/4K-page NAND
- 8-bit BCH ECC
- In-system Programming
- Excellent wear-leveling
- CM-die supported
- 4CE available – 48pin
- Max. 16GB density
- Windows® XP/Vista/7
- Mac OS 8.6 and above



Contact Information:

Solid State System

5F-1, No.22 Tai Yuen Street
Jubei City, Hsinchu, Taiwan, 302, R.O.C

Tel: +886 3 552 6568

Fax: +886 3 552 6566

Email: info@3system.com.tw

Website: www.3system.com.tw